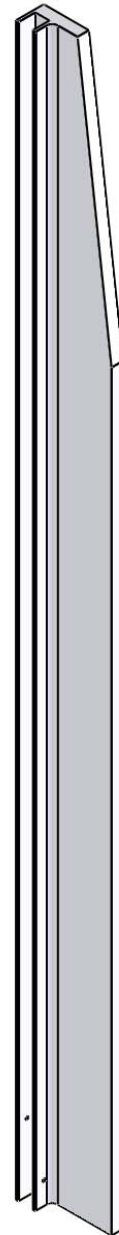
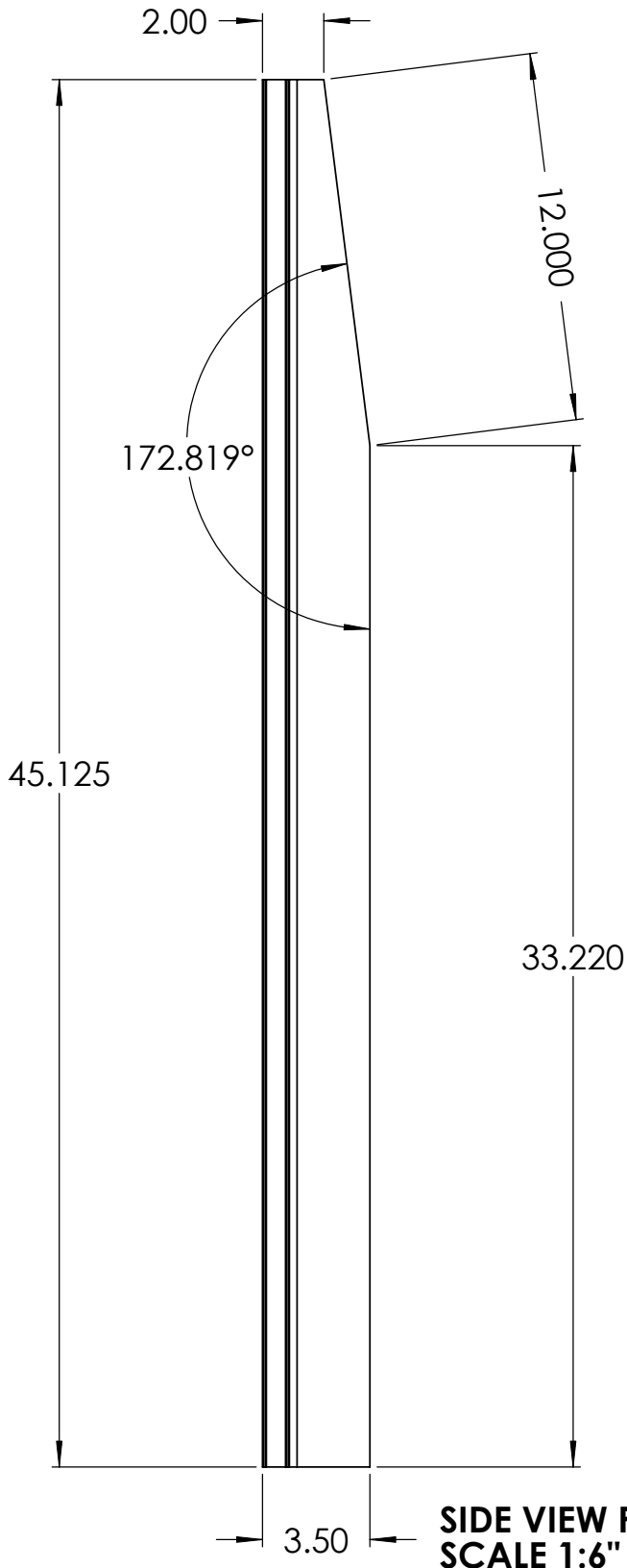


**TOP VIEW PROFILE
SCALE 1:1"**



RAILCRAFT INTERNATIONAL INC.
13272 Comber Way
Surrey, B.C.
Canada, V3W 5V9

UNLESS OTHERWISE SPECIFIED:		NAME	DATE	DATE DRAWN: 25 MAY 2007	
DIMENSIONS ARE IN INCHES		DRAWN	JGUIANG	LEFT END BEACH POST (SIGNATURE)	
TOLERANCES:		CHECKED	KEN F. BOYCE		
FRACTIONAL ±		ENG APPR.			
ANGULAR: MACH ± BEND ±		MFG APPR.			
TWO PLACE DECIMAL ±		Q.A.			
THREE PLACE DECIMAL ±		PROPRIETARY AND CONFIDENTIAL THE INFORMATION CONTAINED IN THIS DRAWING IS THE SOLE PROPERTY OF RAILCRAFT INTERNATIONAL INC. ANY REPRODUCTION IN PART OR AS A WHOLE WITHOUT THE WRITTEN PERMISSION OF RAILCRAFT INTERNATIONAL INC. IS PROHIBITED.		DWG. NO.	
INTERPRET GEOMETRIC TOLERANCING PER:				SIZE A	REV. 0
MATERIAL ALLOY & TEMPER: 6005A-T6				SCALE: 1:1	WEIGHT:
FINISH MILL FINISH				SHEET 1 OF 2	
SOLIDWORKS 2004					



ISOMETRIC VIEW

**SIDE VIEW PROFILE
SCALE 1:6"**

RAILCRAFT
ALUMINUM RAILING SYSTEMS

13272 Comber Way
Surrey, B.C.
Canada, V3W 5V9

RAILCRAFT
INTERNATIONAL INC.

UNLESS OTHERWISE SPECIFIED:		NAME	DATE	DATE DRAWN: 25 MAY 2007	
DIMENSIONS ARE IN INCHES		DRAWN	JGUIANG	25MAY07	
TOLERANCES:		CHECKED	KEN F. BOYCE	25MAY07	
FRACTIONAL ±		ENG APPR.		DWG. NO.	
ANGULAR: MACH ± BEND ±		MFG APPR.		LEFT END BEACH POST (SIGNATURE)	
TWO PLACE DECIMAL ±		Q.A.			
THREE PLACE DECIMAL ±		PROPRIETARY AND CONFIDENTIAL			
INTERPRET GEOMETRIC TOLERANCING PER:		THE INFORMATION CONTAINED IN THIS DRAWING IS THE SOLE PROPERTY OF RAILCRAFT INTERNATIONAL INC. ANY REPRODUCTION IN PART OR AS A WHOLE WITHOUT THE WRITTEN PERMISSION OF RAILCRAFT INTERNATIONAL INC. IS PROHIBITED.			
MATERIAL ALLOY & TEMPER: 6005A-T6		SIZE	DWG. NO.	REV.	0
FINISH MILL FINISH		A			
SOLIDWORKS 2004		SCALE:1:1	WEIGHT:	SHEET 2 OF 2	