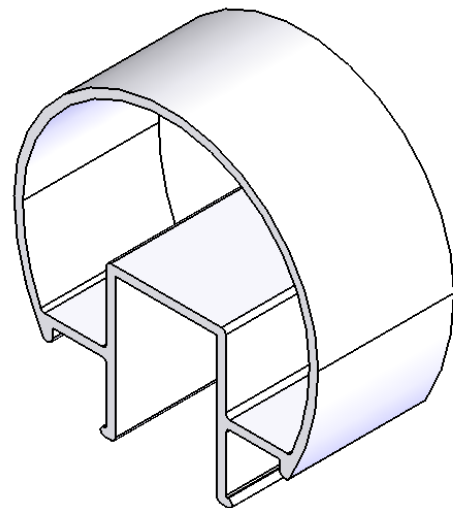


**FRONT PROFILE
SCALE: 1:1**



ISOMETRIC VIEW



13272 Comber Way
Surrey, B.C.
Canada, V3W 5V9

UNLESS OTHERWISE SPECIFIED:		NAME	DATE	DATE DRAWN: 13 SEPTEMBER 2004	
DIMENSIONS ARE IN INCHES		DRAWN	JGUIANG	13SEPT04	
TOLERANCES:		CHECKED	KEN BOYCE	13SEPT04	
FRACTIONAL ±		ENG APPR.		DWG. NO.	
ANGULAR: MACH ± BEND ±		MFG APPR.		1000R TOP RAIL	
TWO PLACE DECIMAL ±		Q.A.			
THREE PLACE DECIMAL ±		PROPRIETARY AND CONFIDENTIAL			
INTERPRET GEOMETRIC TOLERANCING PER:		THE INFORMATION CONTAINED IN THIS DRAWING IS THE SOLE PROPERTY OF RAILCRAFT INTERNATIONAL INC. ANY REPRODUCTION IN PART OR AS A WHOLE WITHOUT THE WRITTEN PERMISSION OF RAILCRAFT INTERNATIONAL INC. IS PROHIBITED.			
MATERIAL ALLOY & TEMPER: 6063-T5		SIZE	DWG. NO.	REV.	
FINISH MILL FINISH		A	10-10	0	
SOLIDWORKS 2008		SCALE: 1:1	WEIGHT:	SHEET 1 OF 1	