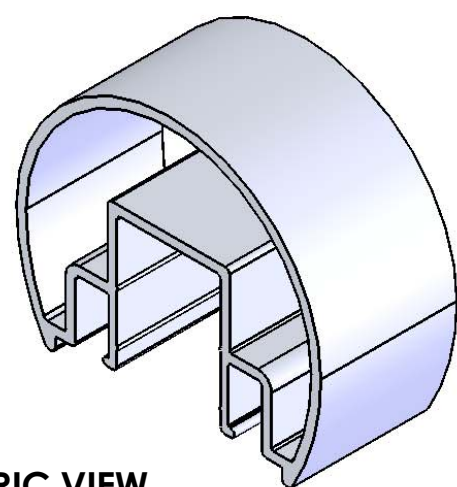


**FRONT VIEW PROFILE
SCALE: 1:1"**



ISOMETRIC VIEW

| | | | | | | |
|--|--|-----------|------------|-------------|--|----------|
| RAILCRAFT ALUMINUM RAILING SYSTEMS 13272 Comber Way Surrey, B.C. Canada, V3W 5V9 RAILCRAFT INTERNATIONAL Inc. | UNLESS OTHERWISE SPECIFIED: | NAME | DATE | DATE DRAWN: | 08 MARCH 2007 | |
| | DIMENSIONS ARE IN INCHES | DRAWN | JGUIANG | 08MAR07 | 2000R TOP RAIL (REVISED: 08 MARCH 2007) | |
| | TOLERANCES: | CHECKED | S. THORTON | 08MAR07 | | DWG. NO. |
| | FRACTIONAL ± | ENG APPR. | | | | |
| ANGULAR: MACH ± BEND ± | MFG APPR. | | | | | |
| TWO PLACE DECIMAL ± | Q.A. | | | | | |
| THREE PLACE DECIMAL ± | PROPRIETARY AND CONFIDENTIAL THE INFORMATION CONTAINED IN THIS DRAWING IS THE SOLE PROPERTY OF RAILCRAFT INTERNATIONAL INC. ANY REPRODUCTION IN PART OR AS A WHOLE WITHOUT THE WRITTEN PERMISSION OF RAILCRAFT INTERNATIONAL INC. IS PROHIBITED. | | | SIZE | DWG. NO. | |
| INTERPRET GEOMETRIC TOLERANCING PER: | | | | A | 20-10 | |
| MATERIAL ALLOY & TEMPER: 6063-T5 | | | | SCALE: 1:1 | WEIGHT: | |
| FINISH MILL FINISH | | | | | | |
| SOLIDWORKS 2004 | | | | | REV. 0 | |
| | | | | | SHEET 1 OF 1 | |