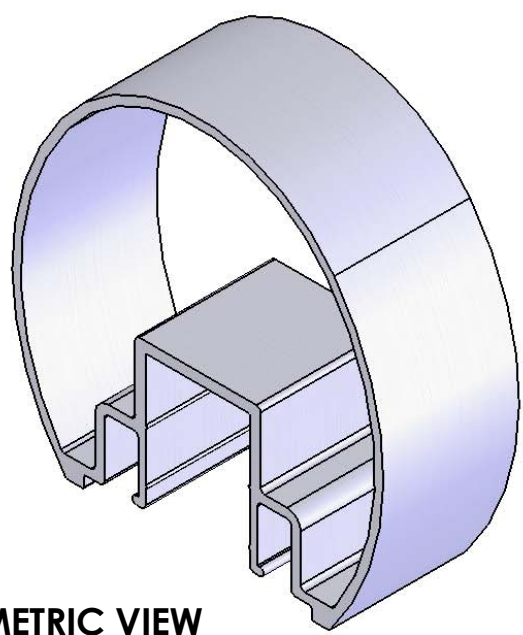



FRONT VIEW PROFILE
SCALE 1:1inch



ISOMETRIC VIEW

 RAILCRAFT ALUMINUM RAILING SYSTEMS	UNLESS OTHERWISE SPECIFIED:	NAME	DATE	DATE DRAWN:	10 JANUARY 2008	
	DIMENSIONS ARE IN INCHES	DRAWN	JGUIANG	10JAN08	3000R TOP RAIL (REDESIGN-2)	
	TOLERANCES:	CHECKED	S. THORNTON	10JAN08		DWG. NO.
	FRACTIONAL ±	ENG APPR.				
ANGULAR: MACH ± BEND ±	MFG APPR.					
TWO PLACE DECIMAL ±	Q.A.					
THREE PLACE DECIMAL ±	INTERPRET GEOMETRIC TOLERANCING PER:	PROPRIETARY AND CONFIDENTIAL THE INFORMATION CONTAINED IN THIS DRAWING IS THE SOLE PROPERTY OF RAILCRAFT INTERNATIONAL INC. ANY REPRODUCTION IN PART OR AS A WHOLE WITHOUT THE WRITTEN PERMISSION OF RAILCRAFT INTERNATIONAL INC. IS PROHIBITED.		SIZE	DWG. NO.	
	MATERIAL ALLOY & TEMPER: 6063-T5			A	31-10	
	FINISH MILL FINISH			SCALE: 1:1	WEIGHT:	
	SOLIDWORKS 2004				REV. 0	
					SHEET 1 OF 1	