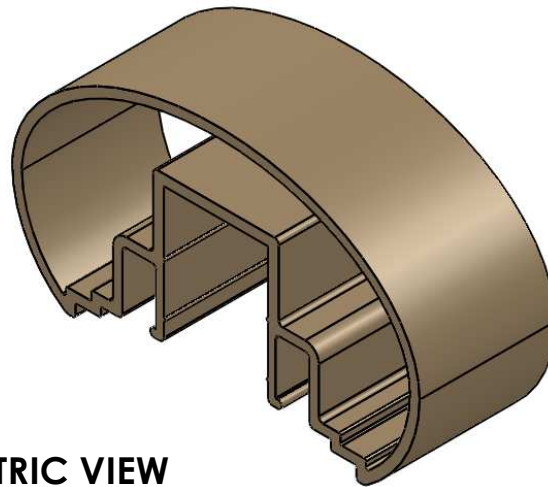


**FRONT VIEW PROFILE
SCALE 1:1"**

NOTE:

TOP RAIL FOR GLASS INSERT
AND CAN ACCOMMODATE
1-5/8" Sq. & 2" Sq. POST



ISOMETRIC VIEW



13272 Comber Way
Surrey, B.C.
Canada, V3W 5V9

UNLESS OTHERWISE SPECIFIED:		NAME	DATE	DATE DRAWN: 07 JANUARY 2010	
DIMENSIONS ARE IN INCHES		DRAWN	JGUIANG	30DEC09	
TOLERANCES:		CHECKED	JEFF BAKER	30DEC09	
FRACTIONAL ±		ENG APPR.		DWG. NO.	
ANGULAR: MACH ± BEND ±		MFG APPR.		3175-G TOP RAIL	
TWO PLACE DECIMAL ±		Q.A.			
THREE PLACE DECIMAL ±		PROPRIETARY AND CONFIDENTIAL			
INTERPRET GEOMETRIC TOLERANCING PER:		THE INFORMATION CONTAINED IN THIS DRAWING IS THE SOLE PROPERTY OF RAILCRAFT INTERNATIONAL INC. ANY REPRODUCTION IN PART OR AS A WHOLE WITHOUT THE WRITTEN PERMISSION OF RAILCRAFT INTERNATIONAL INC. IS PROHIBITED.			
MATERIAL ALLOY & TEMPER: 6063-T5		SIZE	DWG. NO.		REV.
FINISH MILL FINISH		A			1
SOLIDWORKS 2010		SCALE: 1:1	WEIGHT:		SHEET 1 OF 1