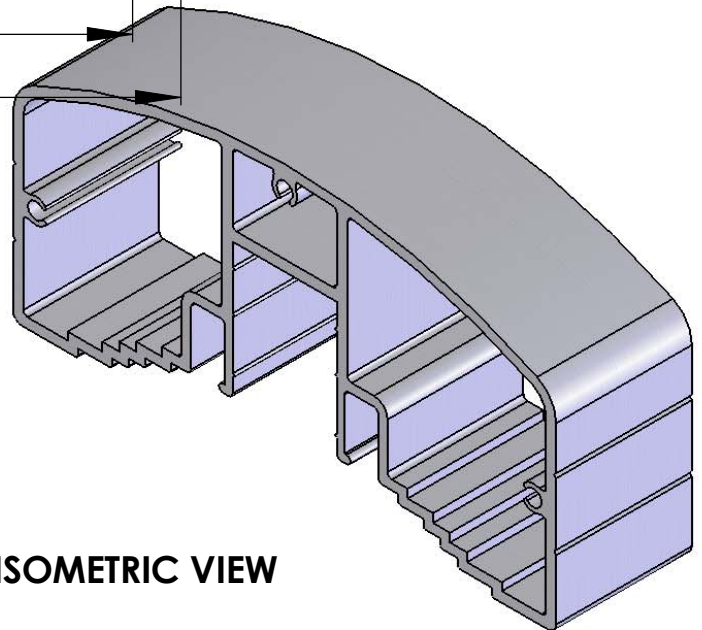


**FRONT VIEW PROFILE
SCALE 1:1"**



ISOMETRIC VIEW

RAILCRAFT
ALUMINUM RAILING SYSTEMS

RAILCRAFT INTERNATIONAL Inc.

13272 Comber Way
Surrey, B.C.
Canada, V3W 5V9

UNLESS OTHERWISE SPECIFIED: DIMENSIONS ARE IN INCHES TOLERANCES: FRACTIONAL ± ANGULAR: MACH ± BEND ± TWO PLACE DECIMAL ± THREE PLACE DECIMAL ± INTERPRET GEOMETRIC TOLERANCING PER: MATERIAL ALLOY & TEMPER: 6063-T5 FINISH MILL FINISH SOLIDWORKS 2004	DRAWN	JGUIANG	24MAR06	DATE DRAWN:	24 MARCH 2006
	CHECKED	DARREN LANTHIER	24MAR06	DWG. NO.	4200U TOP RAIL (UNIVERSAL)
	ENG APPR.			SIZE	
	MFG APPR.			DWG. NO.	25-659
	Q.A.			REV.	0
	PROPRIETARY AND CONFIDENTIAL THE INFORMATION CONTAINED IN THIS DRAWING IS THE SOLE PROPERTY OF RAILCRAFT INTERNATIONAL INC. ANY REPRODUCTION IN PART OR AS A WHOLE WITHOUT THE WRITTEN PERMISSION OF RAILCRAFT INTERNATIONAL INC. IS PROHIBITED.			SCALE:1:1	WEIGHT:
				SHEET 1 OF 1	